



Leader Harmonious Drive Systems Co.,Ltd
TEL :0086- 512-66362298/66560692
FAX :0086- 512-66362325
E-mail : sales@leaderdrive.com
Add : No. 19 Muxu west Road,Mudu,Suzhou,P.R.China
Postal Code : 215101
<http://www.leaderdrive.com>

NO. LD2019-1-Y

Leaderdrive®

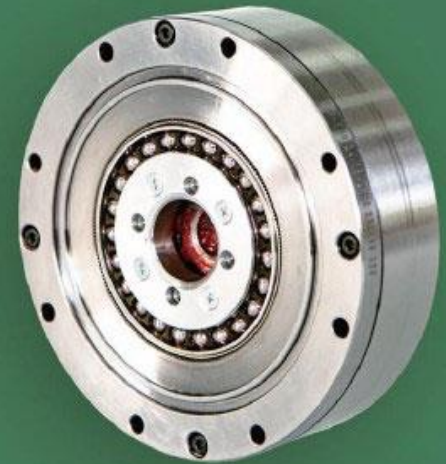
leaderdrive®

苏州绿的谐波传动科技股份有限公司

Leader Harmonious Drive Systems Co.,Ltd

LHD Ultra-Flat Hollow-Shaft Flexspline Strain Wave Gear

Product Introduction Manual



LHD-I series



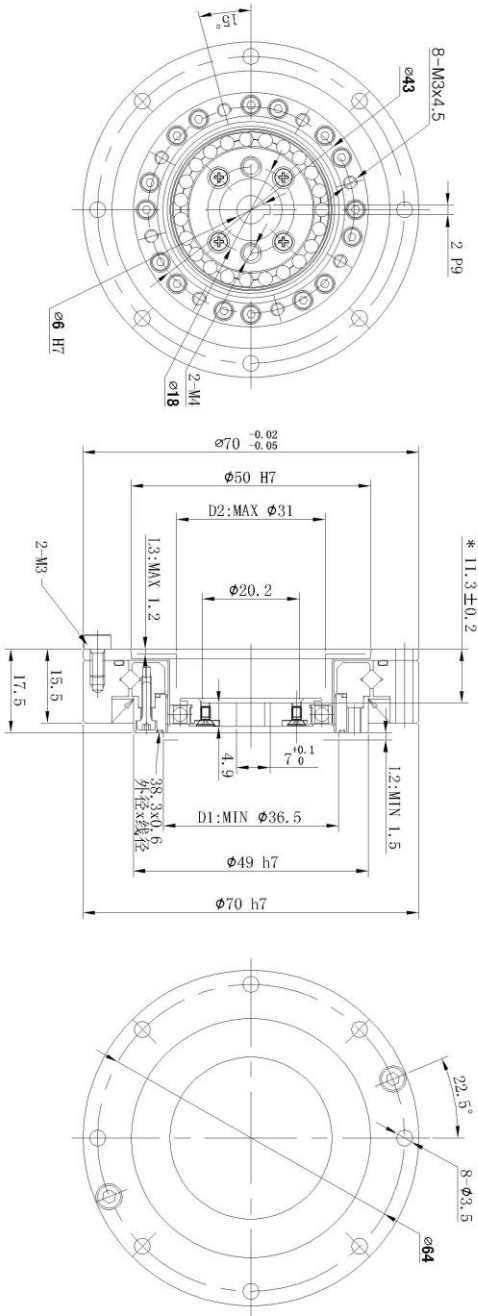
With a flexible gear in ultra-thin hollow and flange structure, the LHD series are designed as flat as possible, and are therefore very suitable for the occasions where harsh thickness requirements for reducers are posed.

Parameter Table

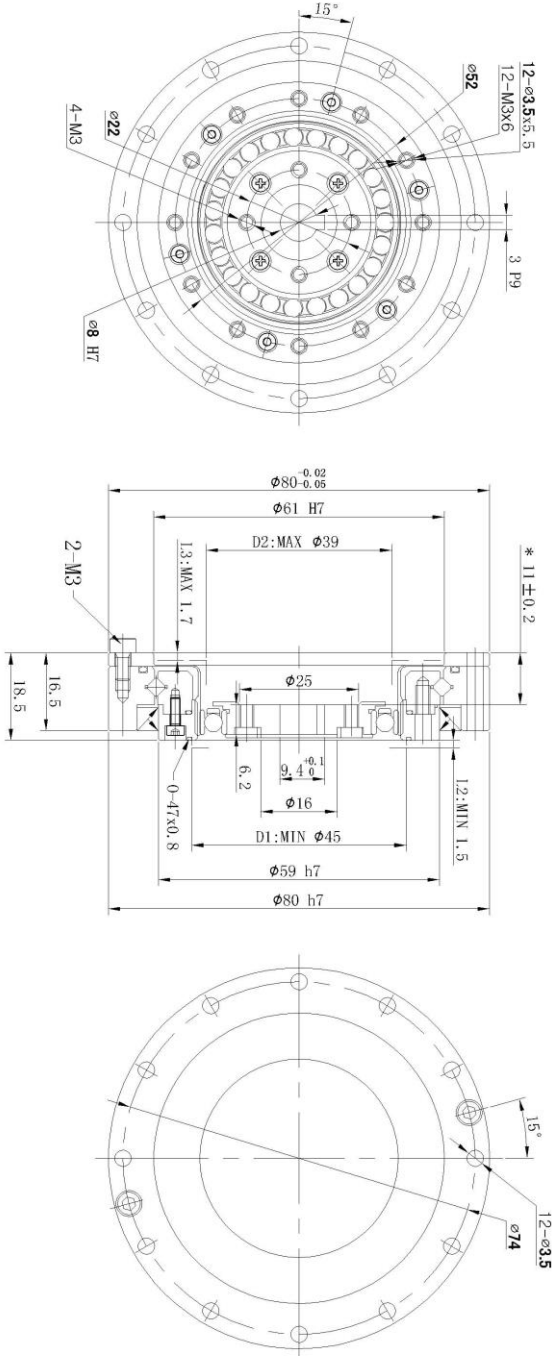
Item Model No	Reduction Ratio	Rated Torque at 2000r/min	Allowable Peak Torque at Start and Stop	Allowable Average Torque	Allowable Maximum Momentary Torque	Maximum Input Speed	Allowable Average Input Speed	Back lash	Weight	Design Life
		Nm	Nm	Nm	Nm	r/min	r/min	Arc sec	Kg	Hour
14	50	3.5	11.4	4.6	23	8000	3500	≤20	0.35	9000
	80	5.1	15	6.2	29			≤20		10000
	100	5.1	18	7.3	33			≤20		10000
17	50	10.4	22	17	46	7000	3500	≤20	0.45	9000
	80	14	29	21	54			≤20		10000
	100	15.2	35	26	67			≤20		10000
20	50	16.1	37	23	66	6000	3500	≤20	0.55	9000
	80	23	49	28	78			≤20		10000
	100	27	54	32	90			≤20		10000
25	50	26	66	36	121	5500	3500	≤20	0.95	9000
	80	42	91	62	157			≤20		10000
	100	45	105	71	175			≤20		10000
	120	45	111	71	187			≤20		10000
32	50	50	143	71	255	4500	3500	≤20	1.92	9000
	80	79	202	126	350			≤20		10000
	100	91	221	144	399			≤20		10000
	120	91	235	144	423			≤20		10000
40	50	91	267	130	456	4000	3000	≤20	3.15	9000
	100	176	378	247	665			≤20		10000
	160	196	430	300	727			≤20		10000

LHD-I Series Drawings

LHD-14-XXX-C-I



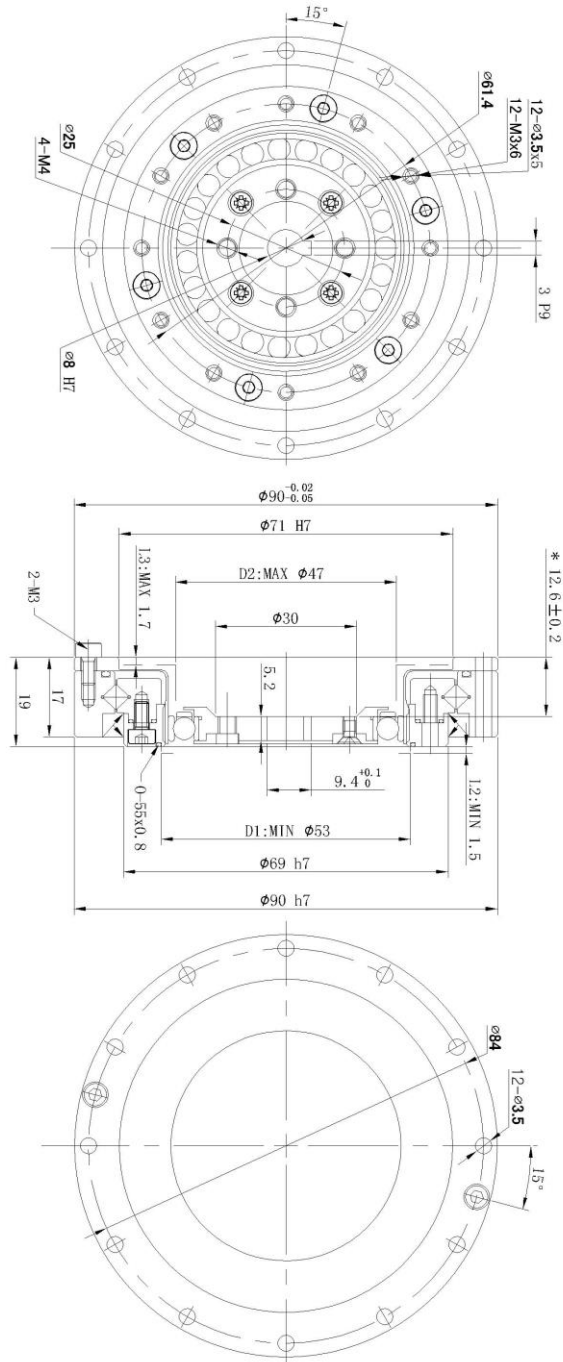
LHD-17-XXX-C-I



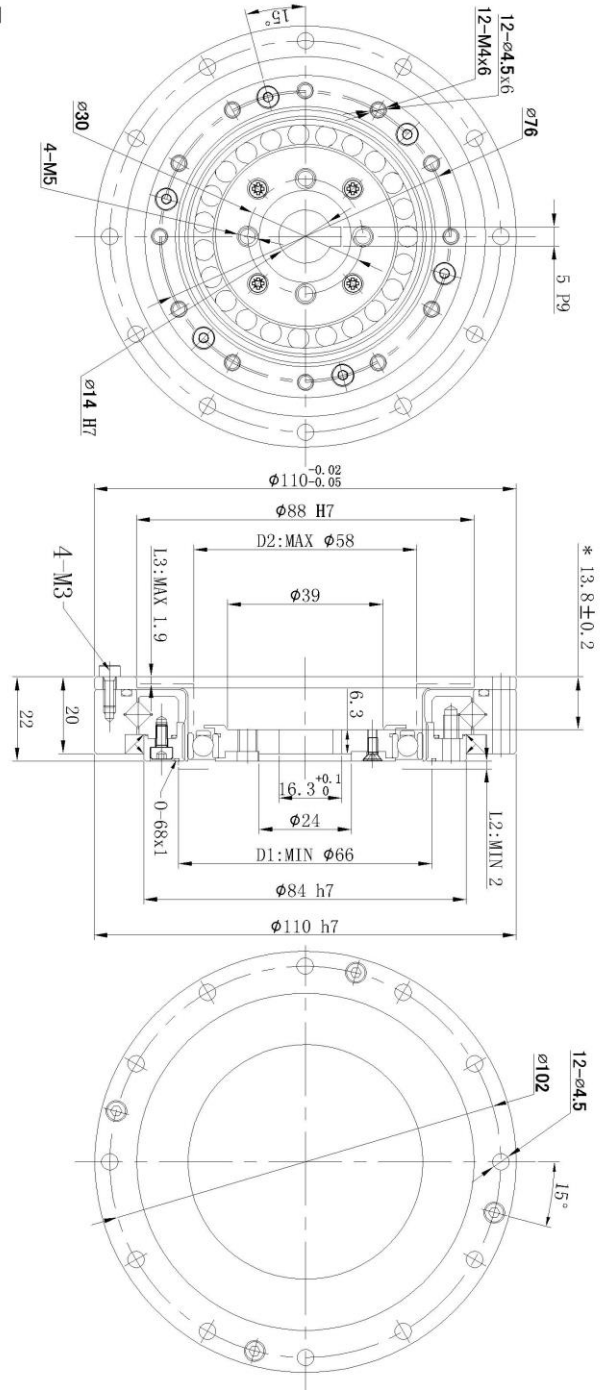
LHD-I Series Drawings

Leobard

LHD-20-XXX-C-I

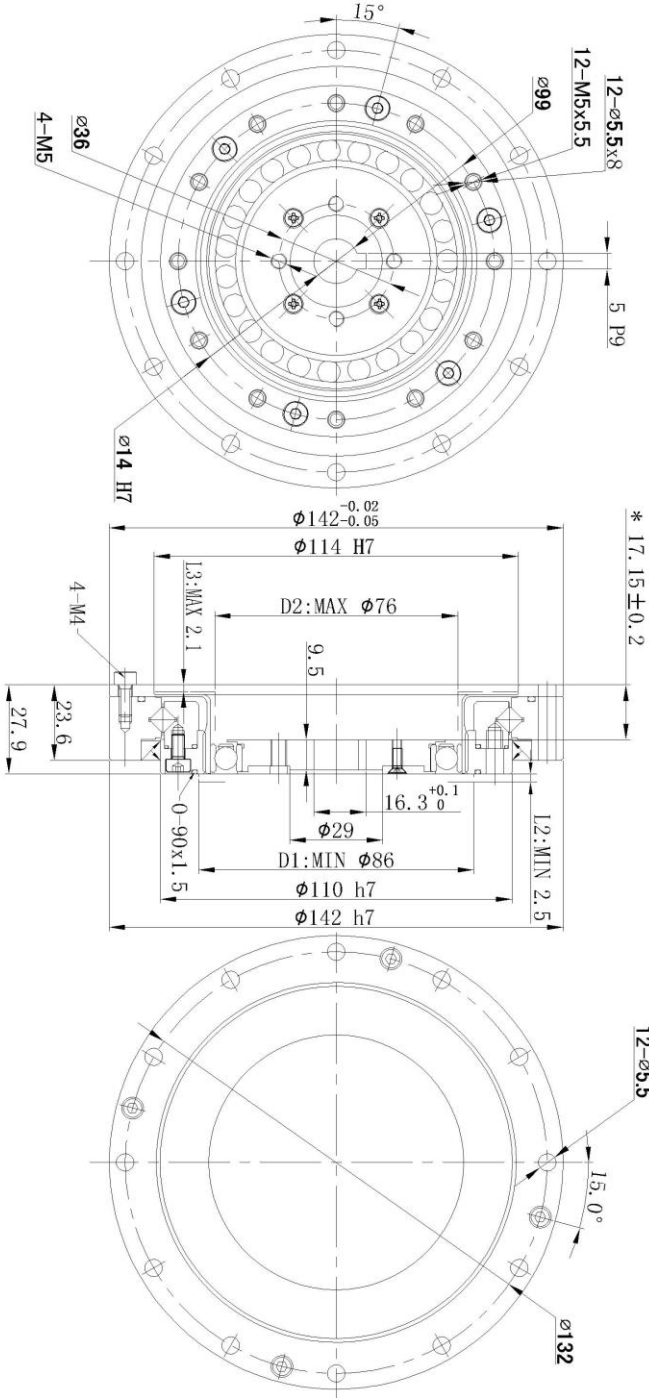


LHD-25-XXX-C-I

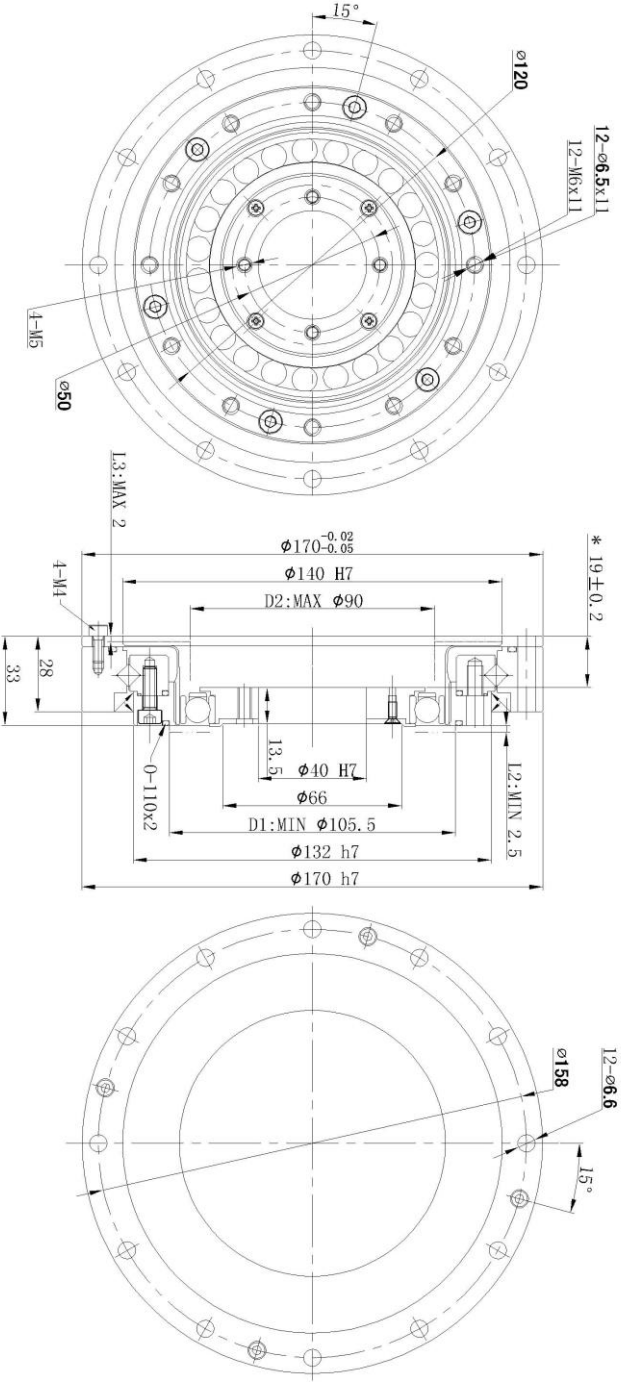


LHD-I Series Drawings

LHD-32-XXX-C-I



LHD-40-XXX-C-I



LHD-III series



For LHD-III series, there is a large-aperture hollow shaft hole in the middle of the cam of their wave generator with a flexible gear in ultra-thin hollow and flange structure, the LHD series are designed as possible, and are therefore very suitable for the occasions where harsh thickness requirements for reducers are posed.

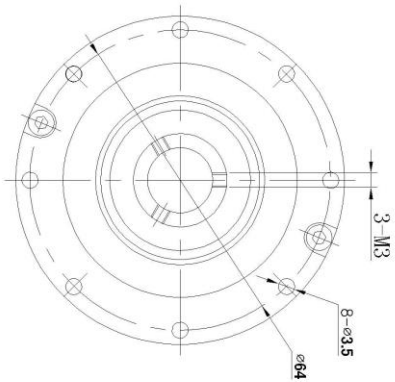
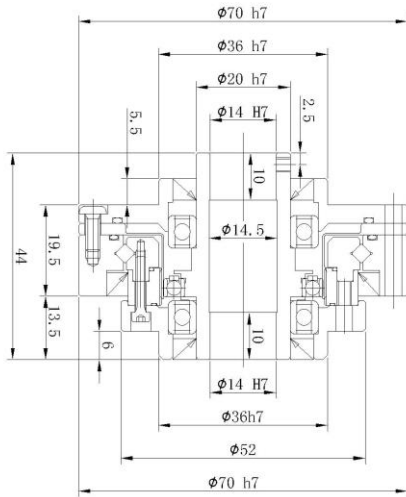
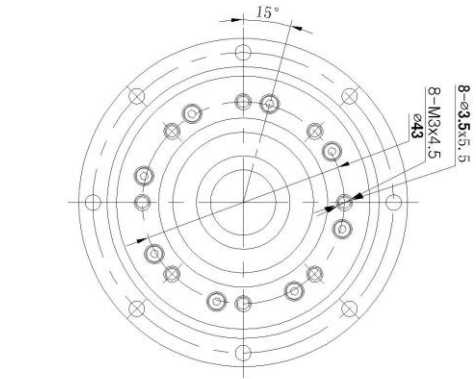
Parameter Table

Item Model No	Reduction Ratio	Rated Torque at 2000r/min	Allowable Peak Torque at Start and Stop	Allowable Average Torque	Allowable Maximum Momentary Torque	Maximum Input Speed	Allowable Average Input Speed	Back lash	Weight	Design Life
		Nm	Nm	Nm	Nm	r/min	r/min	Arc sec	Kg	Hour
14	50	3.5	11.4	4.6	23	8000	3500	≤20	0.35	9000
	80	5.1	15	6.2	29			≤20		10000
	100	5.1	18	7.3	33			≤20		10000
17	50	10.4	22	17	46	7000	3500	≤20	0.45	9000
	80	14	29	21	54			≤20		10000
	100	15.2	35	26	67			≤20		10000
20	50	16.1	37	23	66	6000	3500	≤20	0.55	9000
	80	23	49	28	78			≤20		10000
	100	27	54	32	90			≤20		10000
25	50	26	66	36	121	5500	3500	≤20	0.95	9000
	80	42	91	62	157			≤20		10000
	100	45	105	71	175			≤20		10000
	120	45	111	71	187			≤20		10000
32	50	50	143	71	256	4500	3500	≤20	1.92	9000
	80	79	202	126	350			≤20		10000
	100	91	221	144	399			≤20		10000
	120	91	235	144	423			≤20		10000
40*	50	91	267	130	456	4000	3000	≤20	3.15	9000
	100	176	378	247	665			≤20		10000
	160	196	430	300	727			≤20		10000

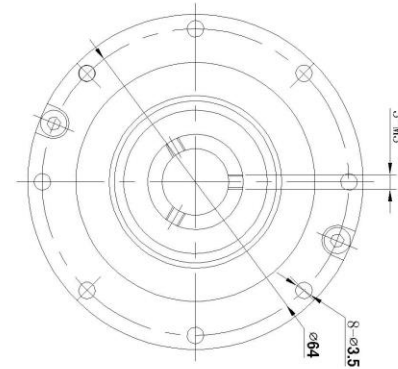
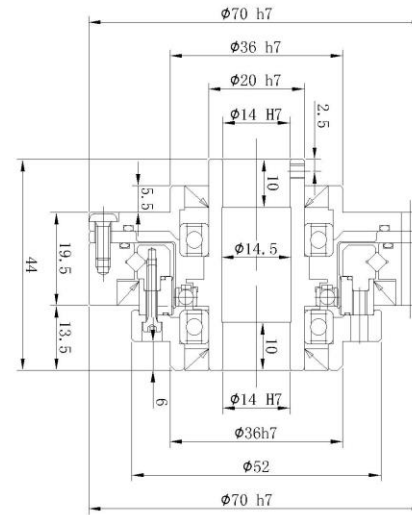
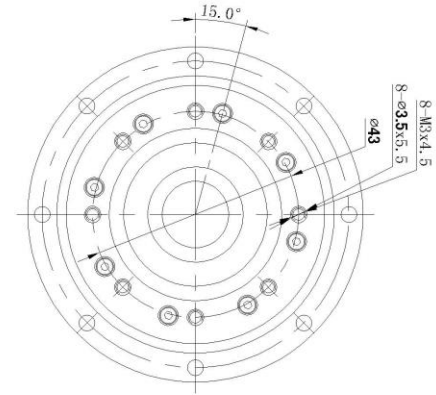
* Consult factory

LHD-III Series Drawings

LHD-14-XXX-C-III

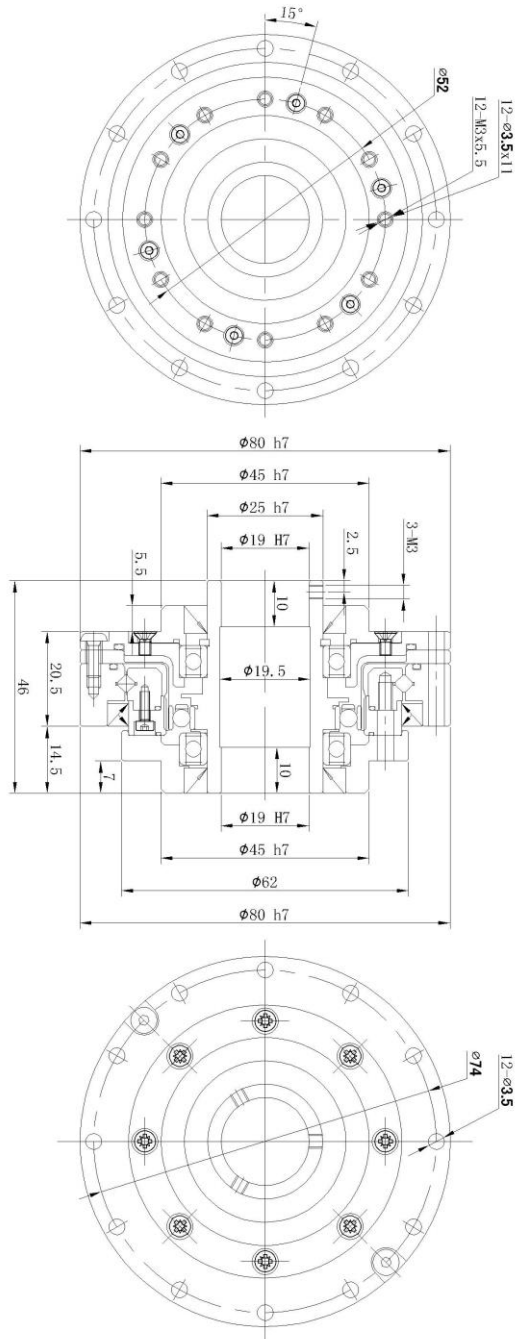


LHD-14-XXX-CL-III

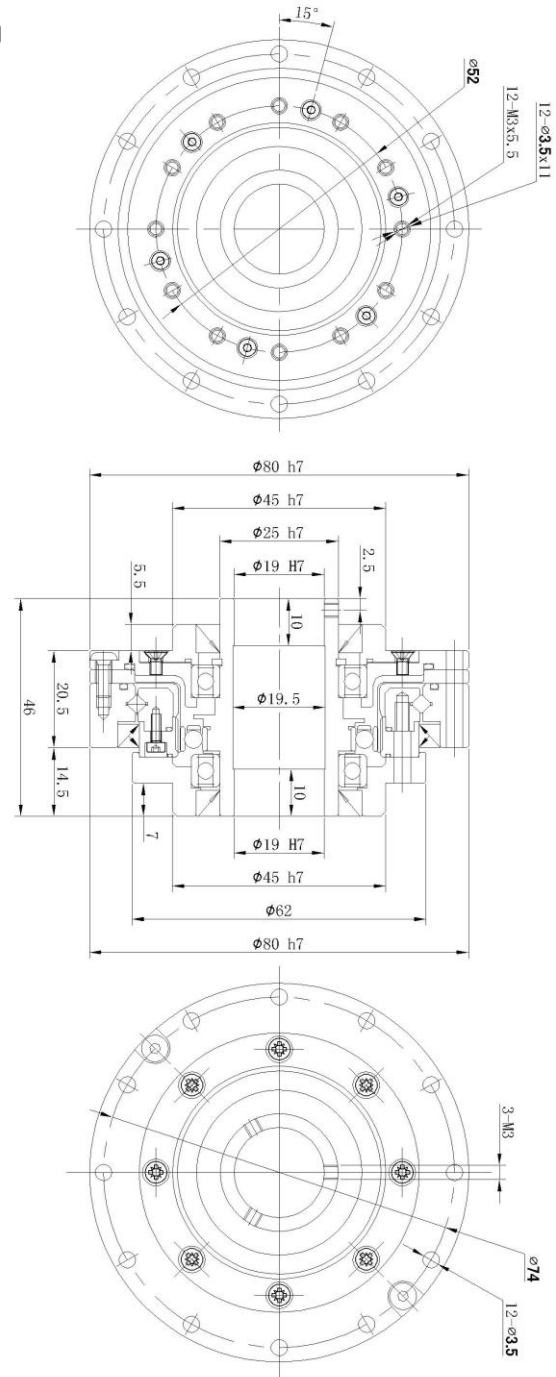


LHD-III Series Drawings

LHD-17-XXX-C-III

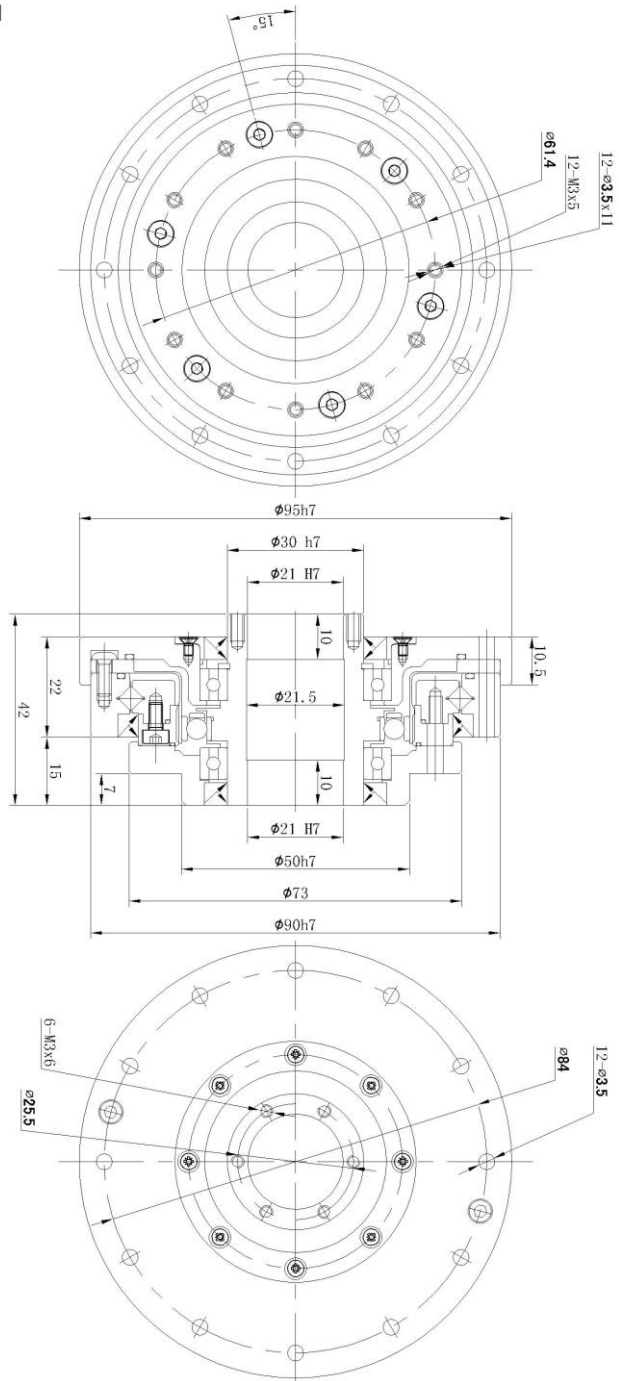


LHD-17-XXX-CL-III

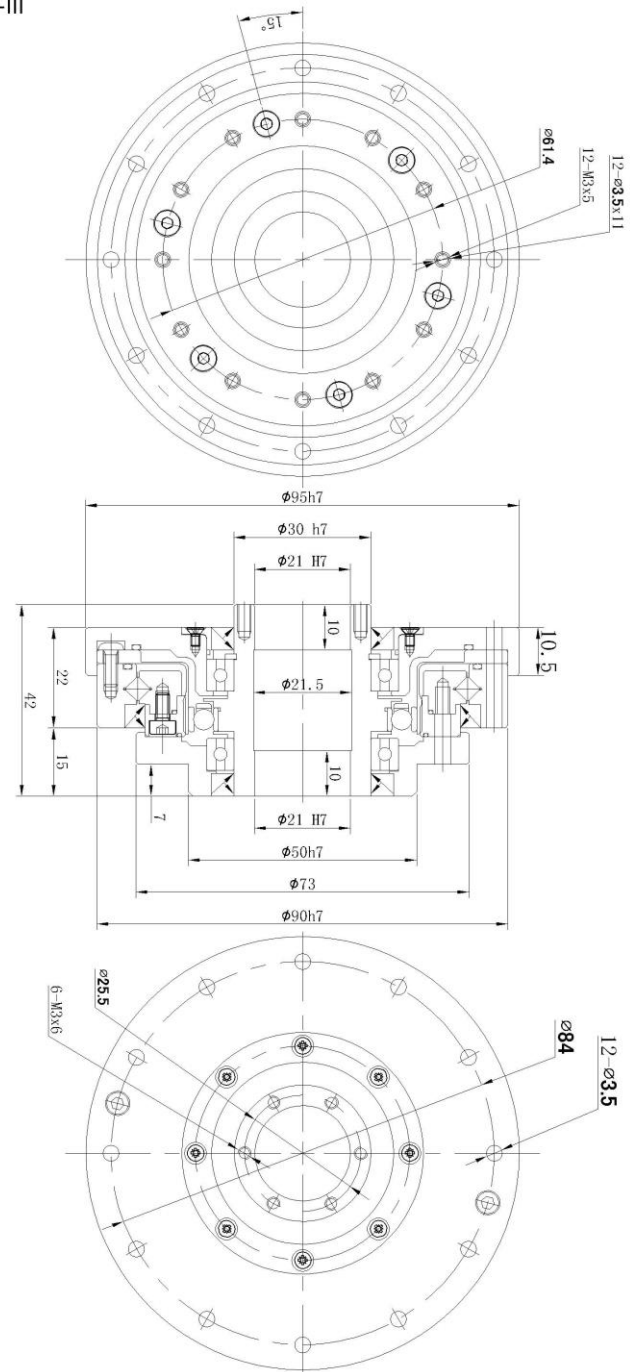


LHD-III Series Drawings

LHD-20-XXX-C-III

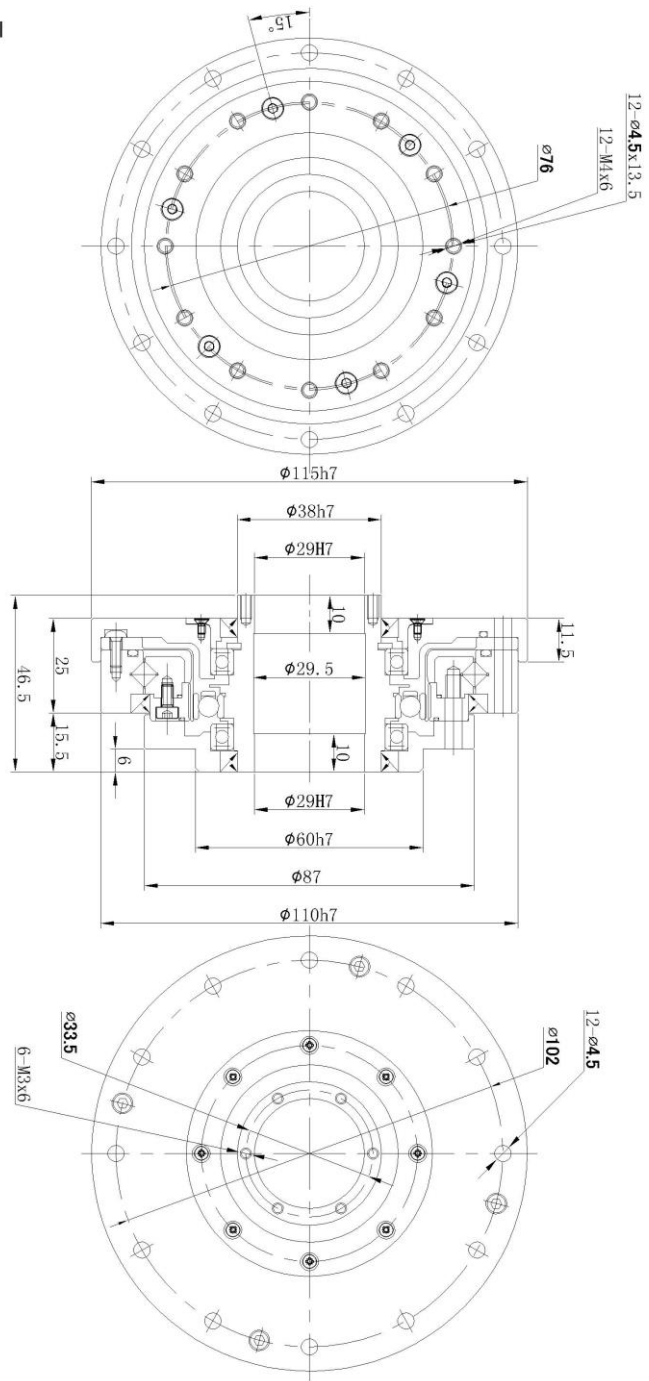


LHD-20-XXX-CL-III

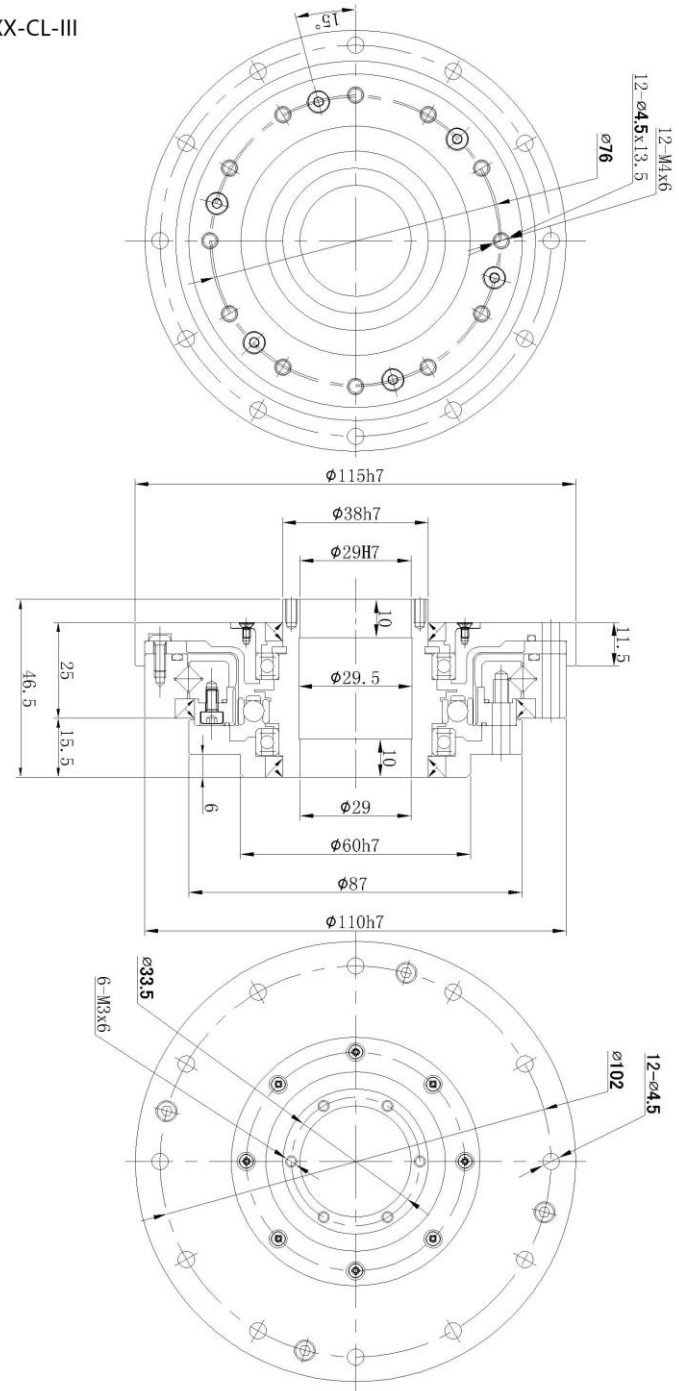


LHD-III Series Drawings

LHD-25-XXX-C-III

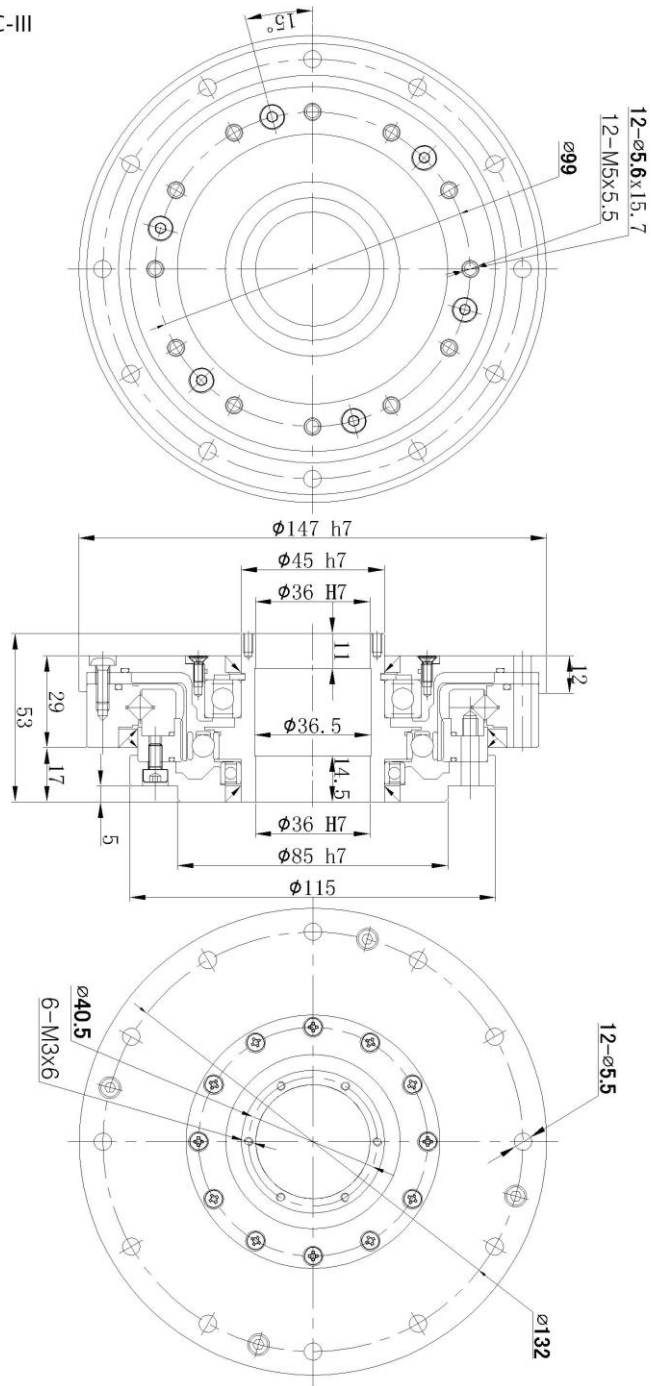


LHD-25-XXX-CL-III

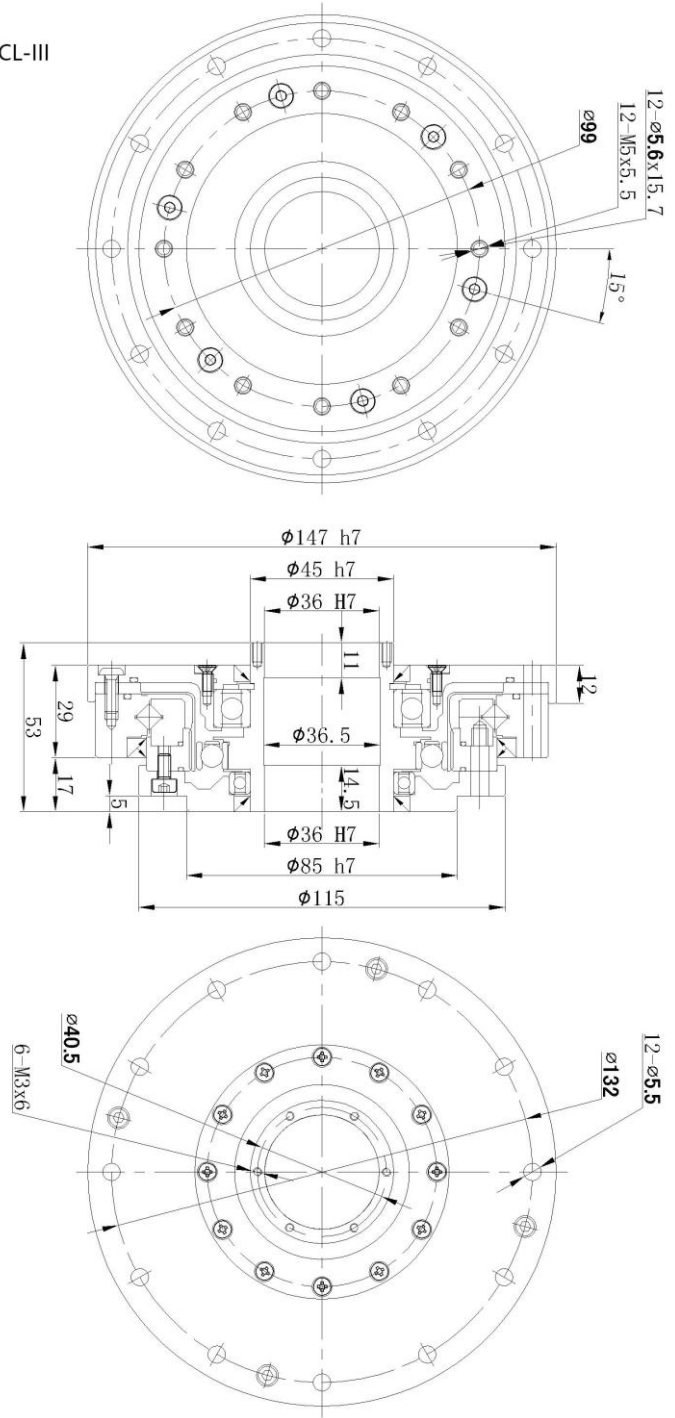


LHD-III Series Drawings

LHD-32-XXX-C-III

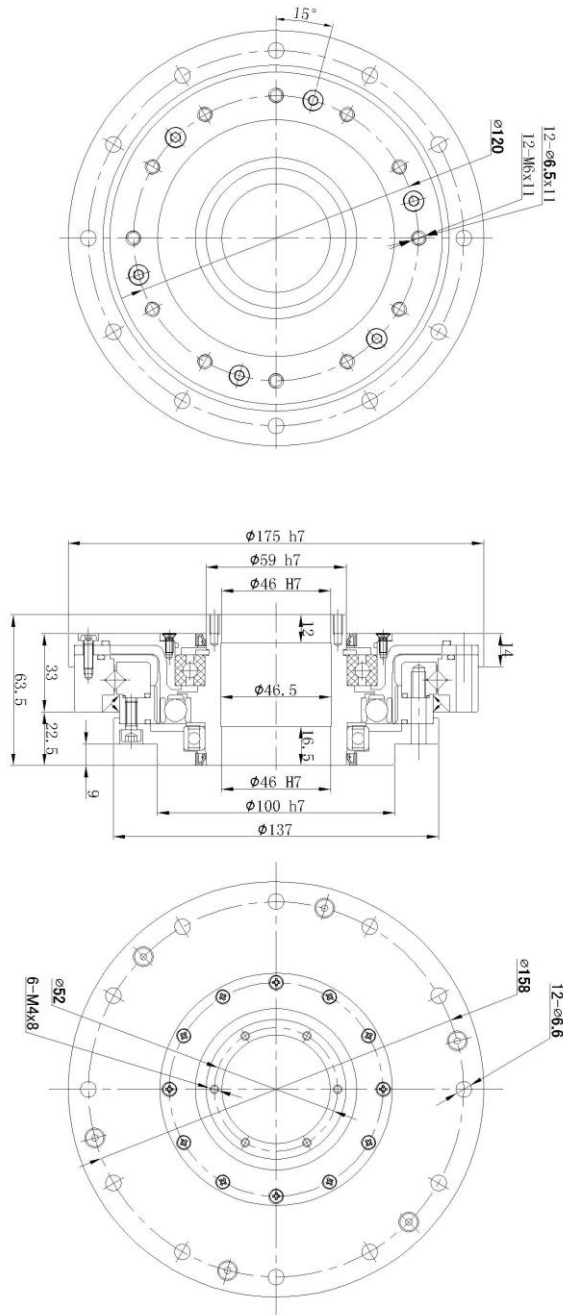


LHD-32-XXX-CL-III



LHD-III Series Drawings

LHD-40-XXX-C-III



LHD-40-XXX-CL-III

